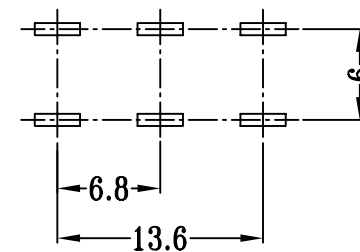
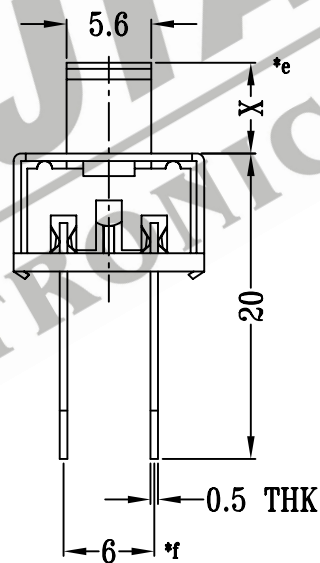
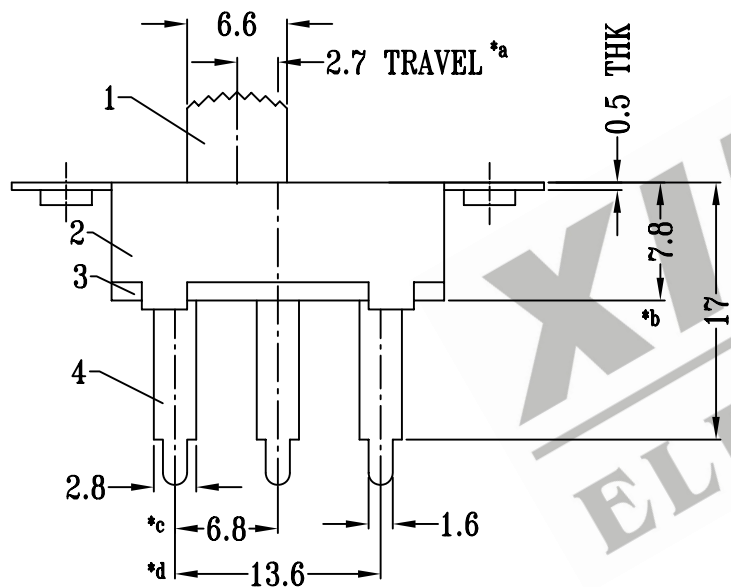
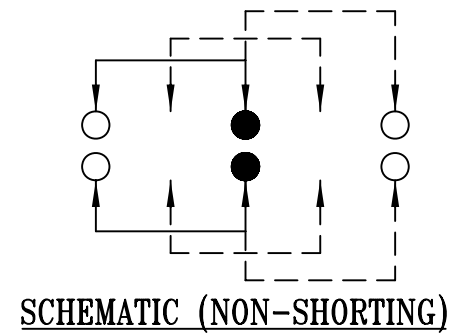
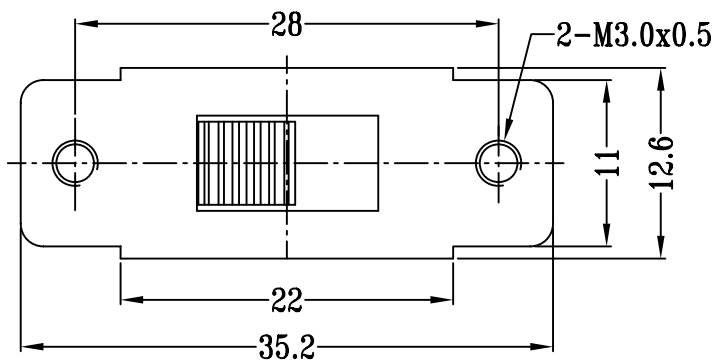


CAD FILE :



P.C.B LAYOUT

注:带"\*"表示关键尺寸(6个)

|     |                |                |      |                          |   |                                       |             |                            |              |           |
|-----|----------------|----------------|------|--------------------------|---|---------------------------------------|-------------|----------------------------|--------------|-----------|
| 8   | CONTACT CLIP   | PBS STRIP      | 2    | Ag PLATED                | TOLERANCE<br>UNLESS SPECIFIED           | SHENZHEN XIEJIA ELECTRONICS CO.,LTD.  |             |                            |              |           |
| 7   | POSITION PLATE | STEEL STRIP    | 1    | Ni PLATED                |   | WITHIN: 1.5±0.1mm<br>OVER : 1.5±0.2mm | ISSUE       | DATE                       | DESCRIPTIONS | APPD      |
| 6   | STEEL BALL     | STEEL          | 1    | NATURAL                  | TITLE: VERTICAL SLIDE SWITCH            |                                       | UNIT : M M  | DRWG NO : XJ-DR-SS23E24-00 |              |           |
| 5   | SPRING         | STEEL WIRE     | 1    | TEMPER                   | MODEL: SS-23E24                         |                                       | SCALE : 2:1 | DWN.                       | ZHOUYU       | 2005-4-10 |
| 4   | TERMINAL       | BRASS STRIP    | 6    | Ag PLATED OVER Ni PLATED | ALL MATERIALS MUST BE COMPLIANT TO ROHS |                                       | SCALE : 2:1 | CHK'D                      | FANGYING     | 2005-4-10 |
| 3   | TERMINAL BASE  | PHENOLIC RESIN | 1    | BLACK                    |   |                                       |             | APPD.                      | KANGXINAN    | 2005-4-10 |
| 2   | FRAME          | STEEL STRIP    | 1    | Ni PLATED                |   |                                       |             |                            |              |           |
| 1   | KNOB           | PC             | 1    | BLACK                    |   |                                       |             |                            |              |           |
| NO. | PART NAME      | MATERIAL       | QTY. | FINISHING                |   |                                       |             |                            |              |           |